

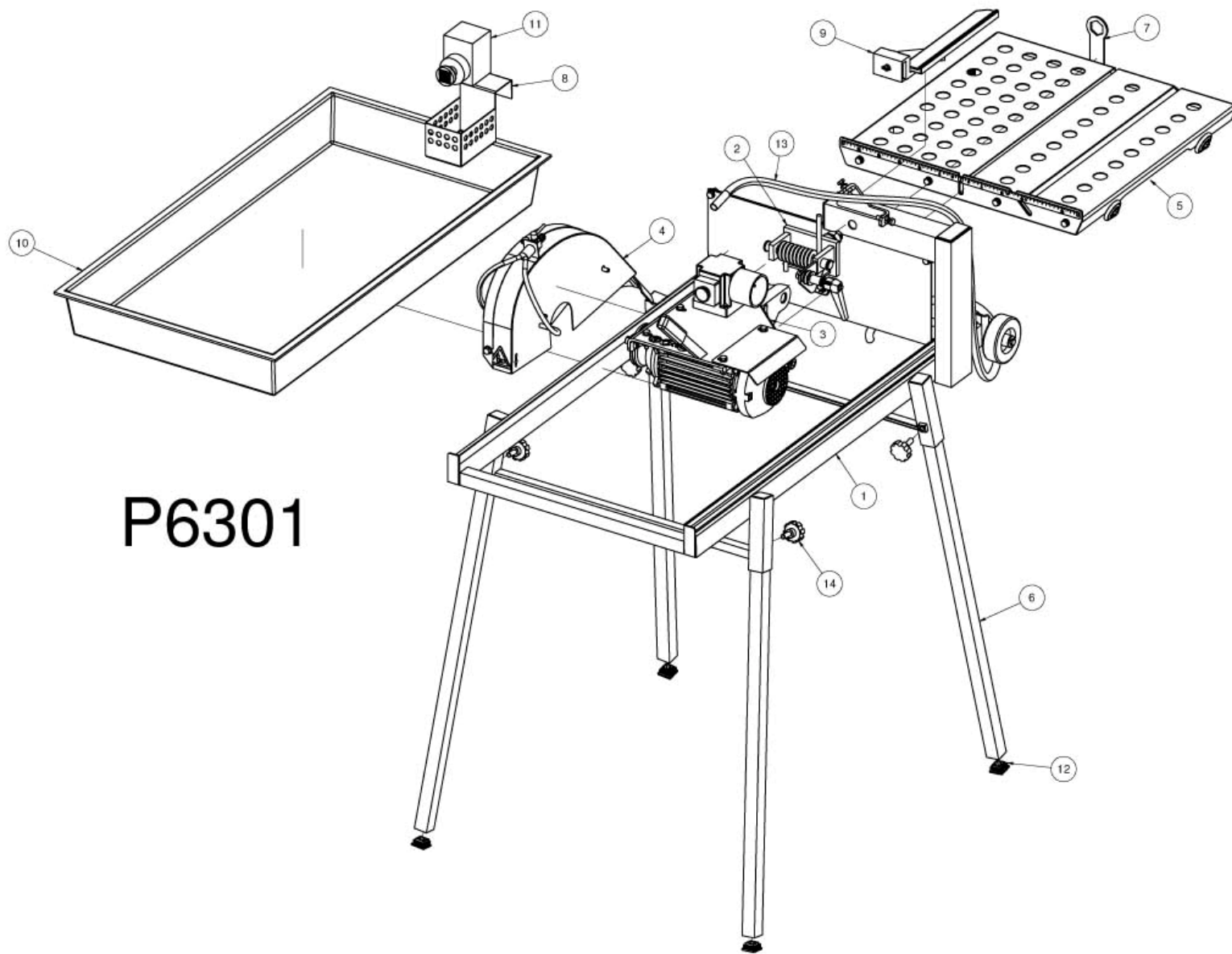
CM 351

SPARE PARTS LIST

View / Pos.	Code	Description	Type (*)	Notes
P6301 / 1		See exploded view P6302		
P6301 / 2		See exploded view P6303		
P6301 / 3		See exploded view P6304		
P6301 / 4		See exploded view P6305		
P6301 / 5		See exploded view P6306		
P6301 / 6	00310368172	Foot	S	
P6301 / 7	00310368186	Spanner 13-30mm	S	
P6301 / 8	00310368188	Decanting basket	S	
P6301 / 9	00310064586	Guide-a-cut	S	
P6301 / 10	00310368190	Water tray	W	
P6301 / 11	00310004389	Water pump	W	
P6301 / 12	00310004133	End cap tube 30x30mm	S	
P6301 / 13	00310002069	Water hose Ø10-16mm	W	
P6301 / 14	00310371125	Grip knob screw M10x25	S	

(*): S = Spare part, W = Wear part

Wear parts are worn out through normal use of the machine. The wear period depends a lot on the intensity of use of the machine. Wear parts must be serviced, used and eventually changed following the indications of the manufacturer. Any wear due to normal use of the machine will not be considered as a case of warranty. Genuine Clipper replacement parts should always be used.



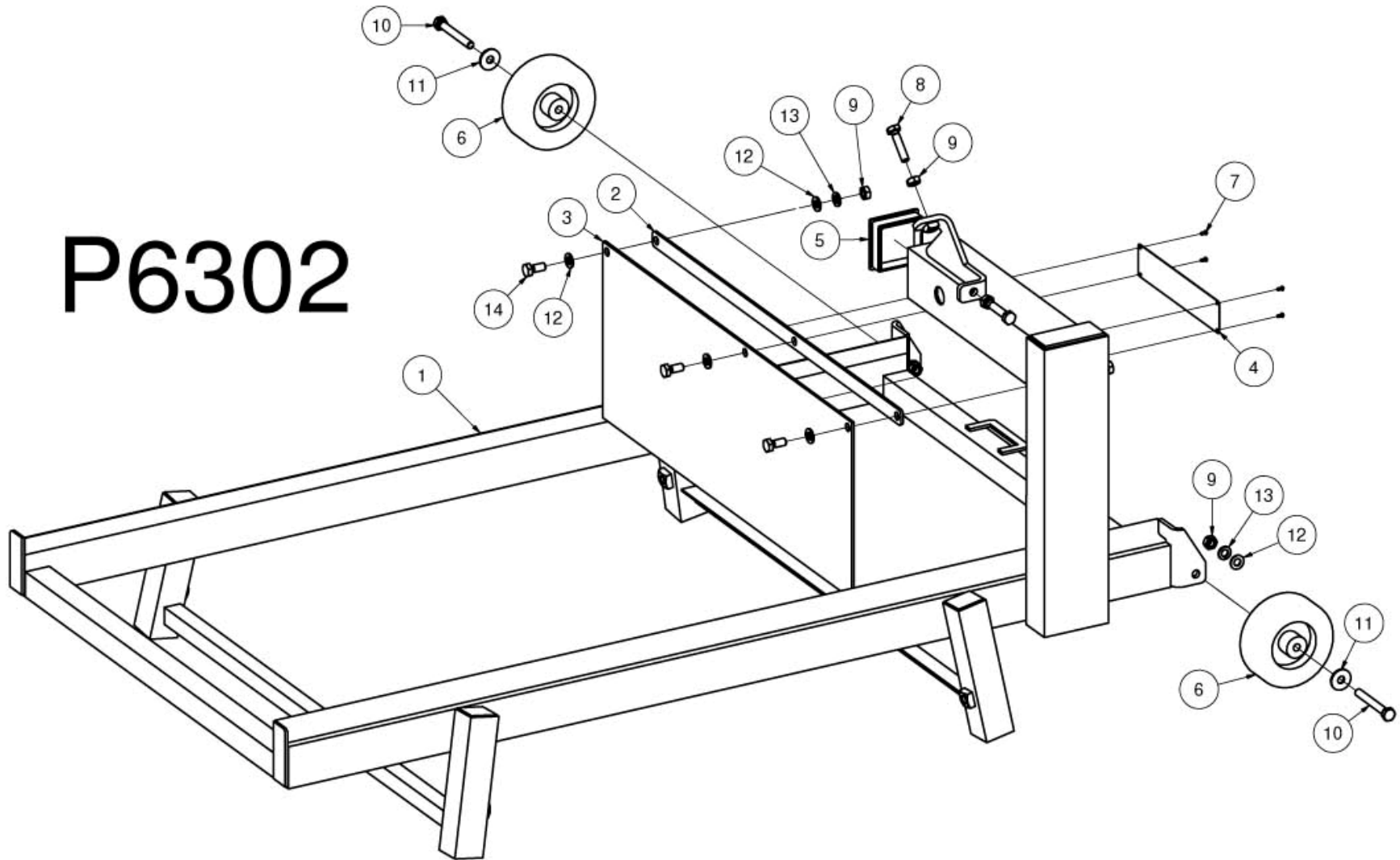
P6301

View / Pos.	Code	Description	Type (*)	Notes
P6302 / 1	00310368194	Main frame	S	
P6302 / 2	00310380677	Splash guard support	S	
P6302 / 3	00310380678	Big splash guard	W	
P6302 / 4	-	Machine plate		
P6302 / 5	00310368197	End cap tube 60x60mm	S	
P6302 / 6	00310368198	Wheel Ø100mm	W	
P6302 / 7	-	Grooved pin round head DIN1476 2.5x6 A		
P6302 / 8	-	Screw DIN933 M8x35		
P6302 / 9	-	Nut DIN934 M8		
P6302 / 10	-	Screw DIN933 M8x65		
P6302 / 11	-	Large washer DIN9021 8.4		
P6302 / 12	-	Washer DIN125 A8.4		
P6302 / 13	-	Locking washer DIN127 A8		
P6302 / 14	-	Screw DIN933 M8x18		

(*): S = Spare part, W = Wear part

Wear parts are worn out through normal use of the machine. The wear period depends a lot on the intensity of use of the machine. Wear parts must be serviced, used and eventually changed following the indications of the manufacturer. Any wear due to normal use of the machine will not be considered as a case of warranty. Genuine Clipper replacement parts should always be used.

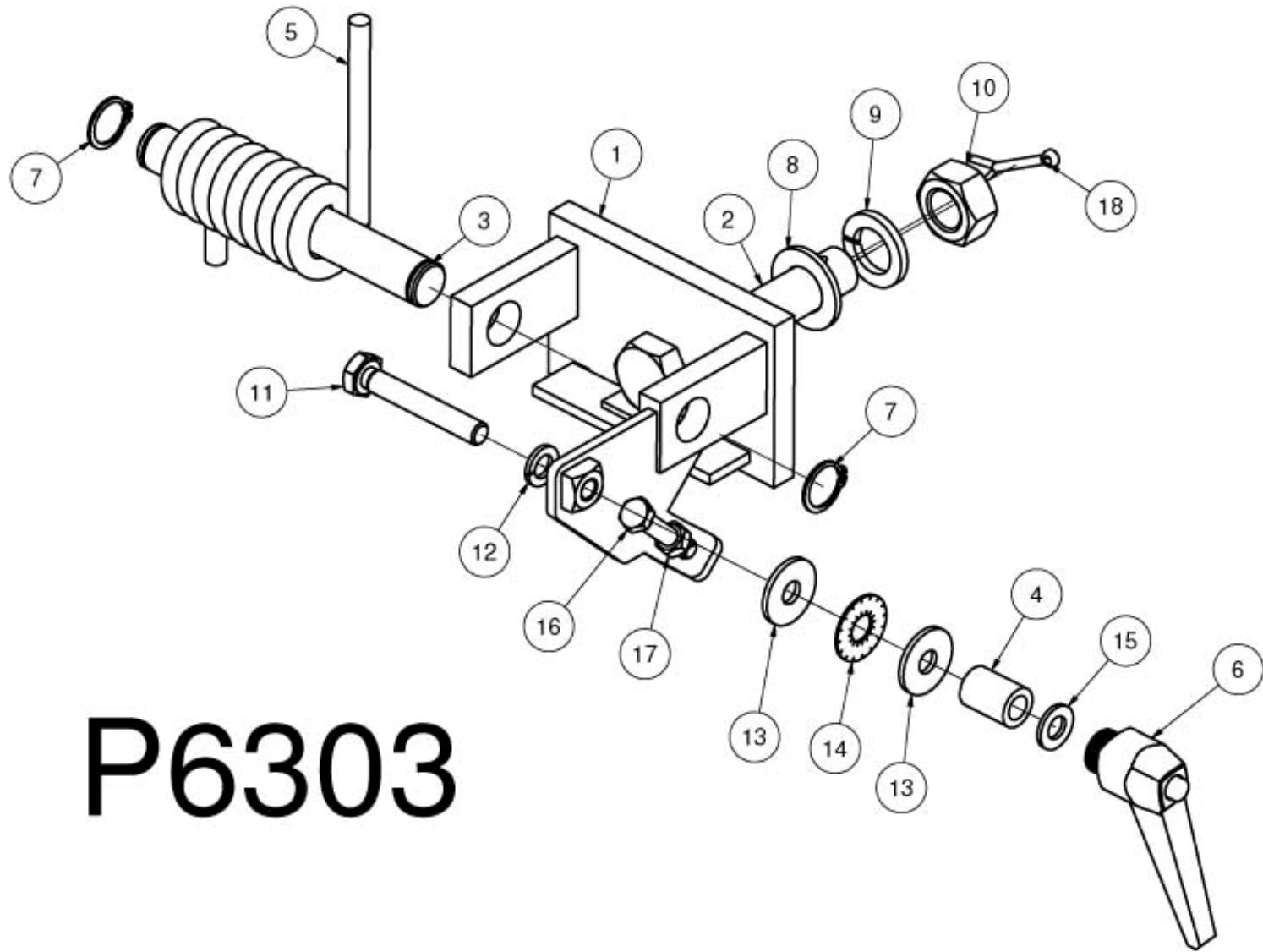
P6302



View / Pos.	Code	Description	Type (*)	Notes
P6303 / 1	00310368201	Pivoting support	S	
P6303 / 2	00310368204	45° pivoting screw	W	
P6303 / 3	00310368202	Cutting head axle	S	
P6303 / 4	00310368203	Spacer	S	
P6303 / 5	00310368205	Torsion spring	W	
P6303 / 6	00310368206	Indexing handle M10	W	
P6303 / 7	00510005351	Circlips DIN471 20x1.2	S	
P6303 / 8	-	Washer DIN125 A21		
P6303 / 9	-	Locking washer DIN127 A20		
P6303 / 10	00510074285	Nut DIN 934 M20 gauche	W	
P6303 / 11	-	Screw DIN933 M10x65		
P6303 / 12	-	Locking washer DIN127 A10		
P6303 / 13	-	Large washer DIN9021 10.5		
P6303 / 14	00510074156	Dual teeth washer M12	W	
P6303 / 15	-	Washer DIN125 A10.5		
P6303 / 16	-	Screw DIN933 M8x30		
P6303 / 17	-	Nut DIN934 M8		
P6303 / 18	00510005411	Splint pin DIN94 4x40	W	

(*): S = Spare part, W = Wear part

Wear parts are worn out through normal use of the machine. The wear period depends a lot on the intensity of use of the machine. Wear parts must be serviced, used and eventually changed following the indications of the manufacturer. Any wear due to normal use of the machine will not be considered as a case of warranty. Genuine Clipper replacement parts should always be used.



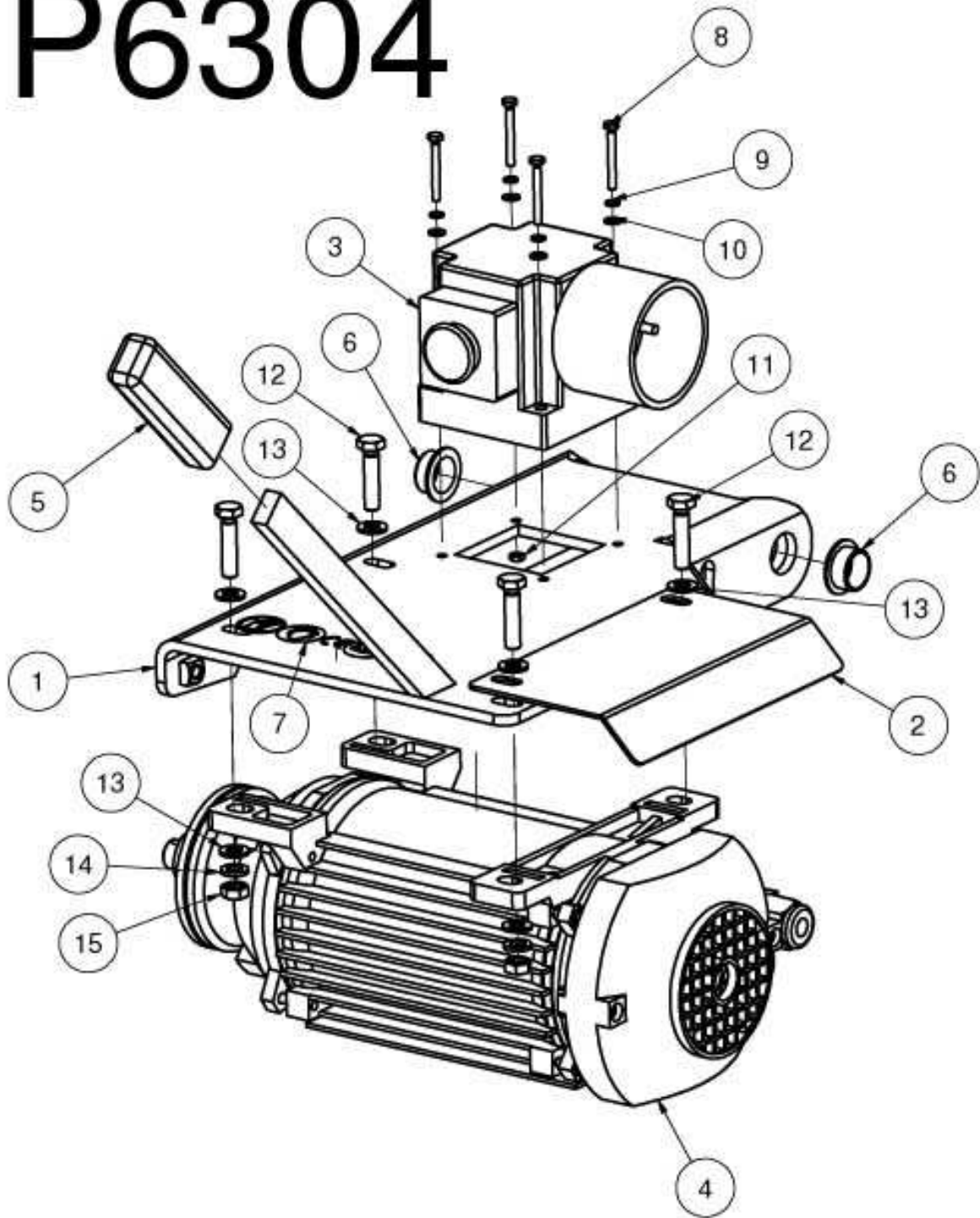
P6303

View / Pos.	Code	Description	Type (*)	Notes
P6304 / 1	00310368273	Cutting head	S	
P6304 / 2	00310368619	Motor protection plate	S	
P6304 / 3	00310004516	Switch 230V	S	
P6304 / 4		See exploded view P6307		
P6304 / 5	00310004051	Plastic handle	S	
P6304 / 6	00310005502	Iglidur Ring	W	
P6304 / 7	-	Adhesive « safety 4 picto. »		
P6304 / 8	-	Screw DIN933 M4x35		
P6304 / 9	-	Locking washer DIN127 A4		
P6304 / 10	-	washerDIN125 A4.3		
P6304 / 11	-	Nut DIN934 M4		
P6304 / 12	-	Screw DIN933 M8x35		
P6304 / 13	-	Washer DIN125 A8.4		
P6304 / 14	-	Locking washer DIN127 A8		
P6304 / 15	-	Nut DIN934 M8		

(*): S = Spare part, W = Wear part

Wear parts are worn out through normal use of the machine. The wear period depends a lot on the intensity of use of the machine. Wear parts must be serviced, used and eventually changed following the indications of the manufacturer. Any wear due to normal use of the machine will not be considered as a case of warranty. Genuine Clipper replacement parts should always be used.

P6304

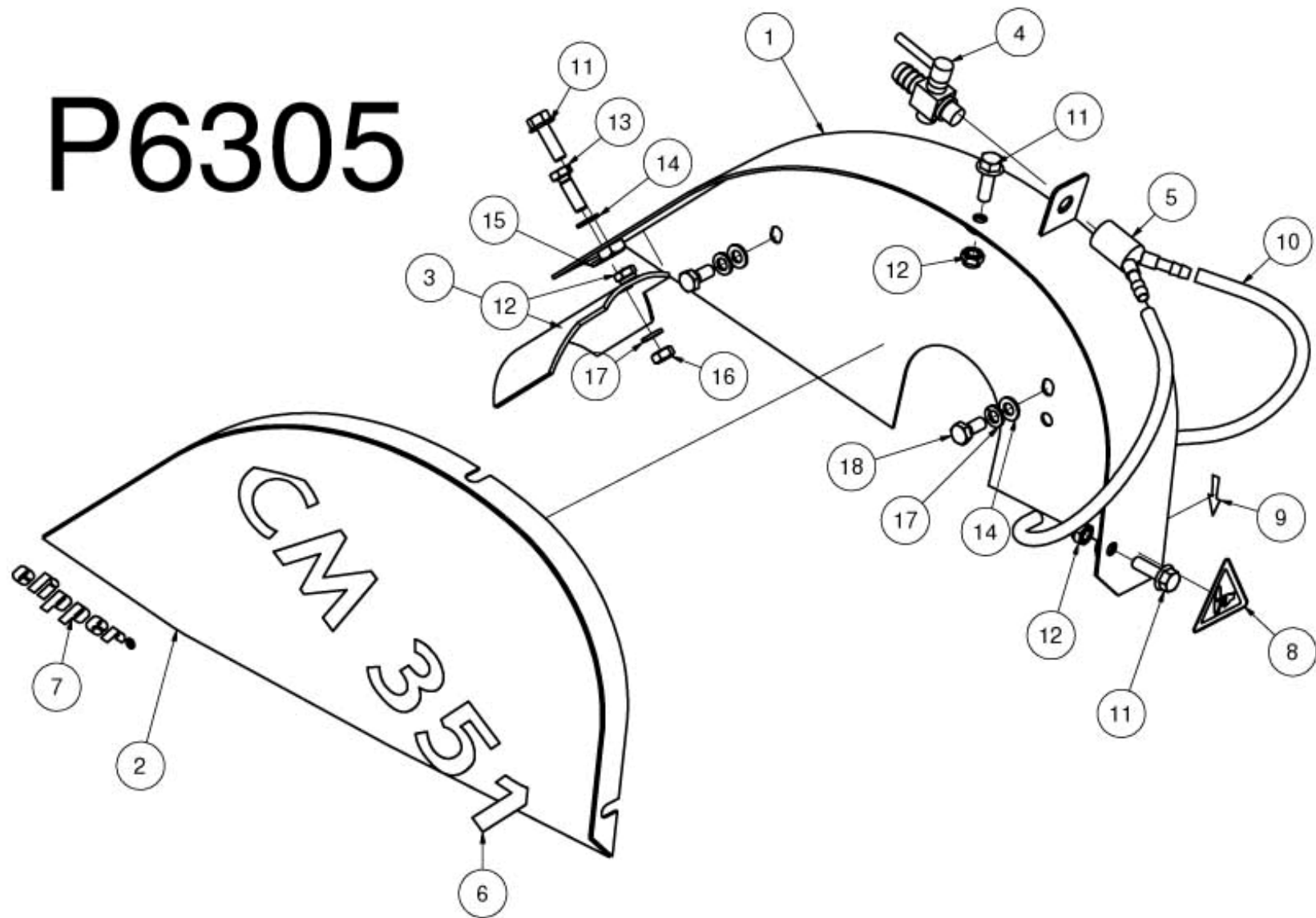


View / Pos.	Code	Description	Type (*)	Notes
P6305 / 1	00310368274	Fixed blade guard	S	
P6305 / 2	00310368275	Removable blade guard	S	
P6305 / 3	00310368460	Splash guard	W	
P6305 / 4	00310004262	Water tap	S	
P6305 / 5	00310004233	Y-distributor	S	
P6305 / 6	-	Adhesive « CM 351 »		
P6305 / 7	-	Adhesive « Clipper »		
P6305 / 8	-	Adhesive « safety blade »		
P6305 / 9	-	Adhesive « direction of rotation »		
P6305 / 10	00310002069	Water nozzles Ø5-8mm (set of 2)	W	
P6305 / 11	00510074218	Screw verbus ripp M8x25	W	
P6305 / 12	-	Locking screw DIN985 M8		
P6305 / 13	-	Screw DIN933 M8x25		
P6305 / 14	-	Washer DIN125 A8.4		
P6305 / 15	-	Large washer DIN9021 8.4		
P6305 / 16	-	Nut DIN934 M8		
P6305 / 17	-	Locking washer DIN127 A8		
P6305 / 18	-	Screw DIN933 M8x18		

(*): S = Spare part, W = Wear part

Wear parts are worn out through normal use of the machine. The wear period depends a lot on the intensity of use of the machine. Wear parts must be serviced, used and eventually changed following the indications of the manufacturer. Any wear due to normal use of the machine will not be considered as a case of warranty. Genuine Clipper replacement parts should always be used.

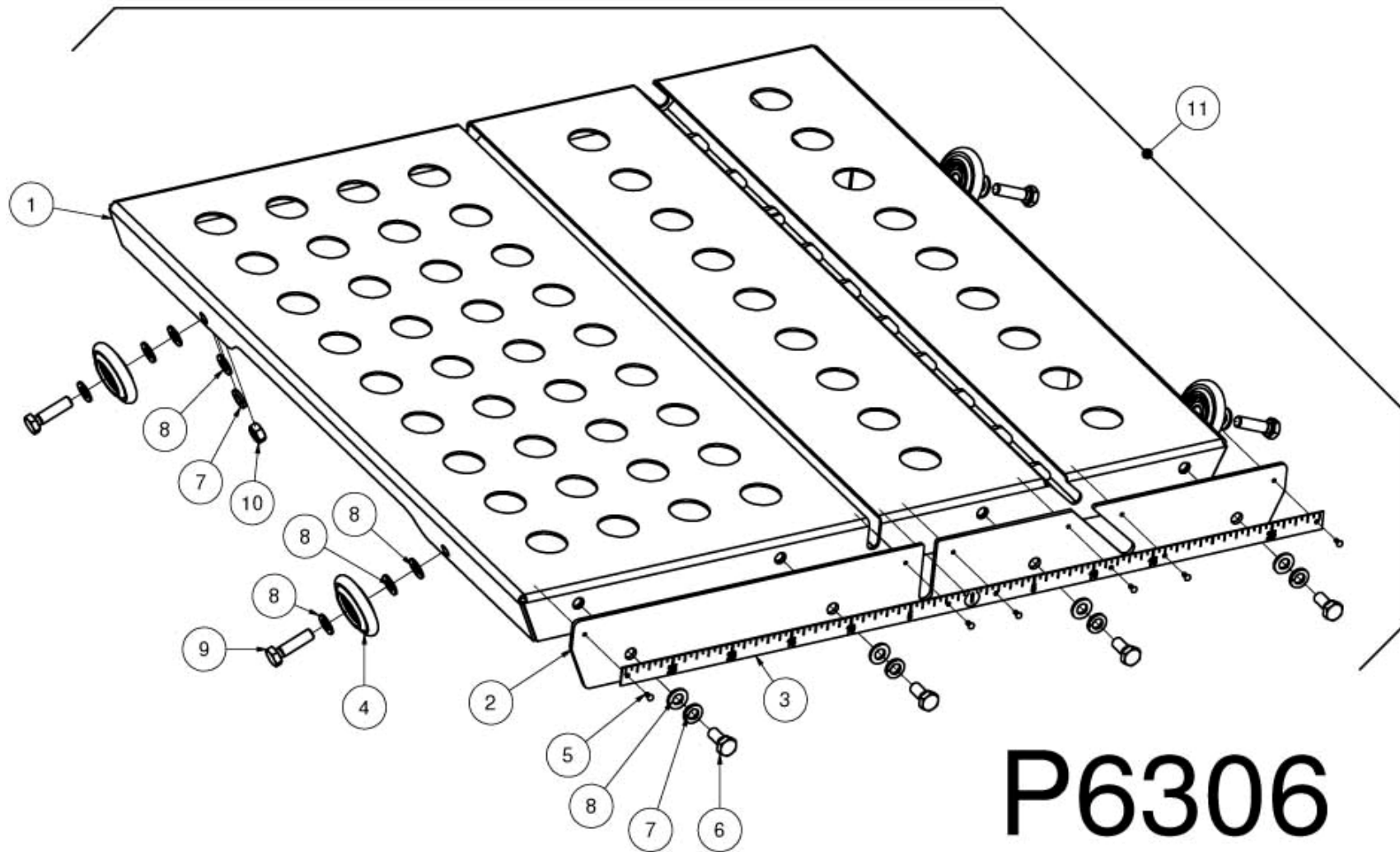
P6305



View / Pos.	Code	Description	Type (*)	Notes
P6306 / 1	-	Conveyor cart		
P6306 / 2	00310380679	Material stop	S	
P6306 / 3	-	Ruler		
P6306 / 4	00310004676	wheel Ø50mm (set of 4)	W	
P6306 / 5	-	Grooved pin round head DIN1476 2.5x6 A		
P6306 / 6	-	Screw DIN933 M8x18		
P6306 / 7	-	Locking washer DIN127 A8		
P6306 / 8	-	Washer DIN125 A8.4		
P6306 / 9	-	Screw DIN933 M8x30		
P6306 / 10	-	Nut DIN934 M8		
P6306 / 11	00310368623	Complete Conveyor cart	S	

(*): S = Spare part, W = Wear part

Wear parts are worn out through normal use of the machine. The wear period depends a lot on the intensity of use of the machine. Wear parts must be serviced, used and eventually changed following the indications of the manufacturer. Any wear due to normal use of the machine will not be considered as a case of warranty. Genuine Clipper replacement parts should always be used.

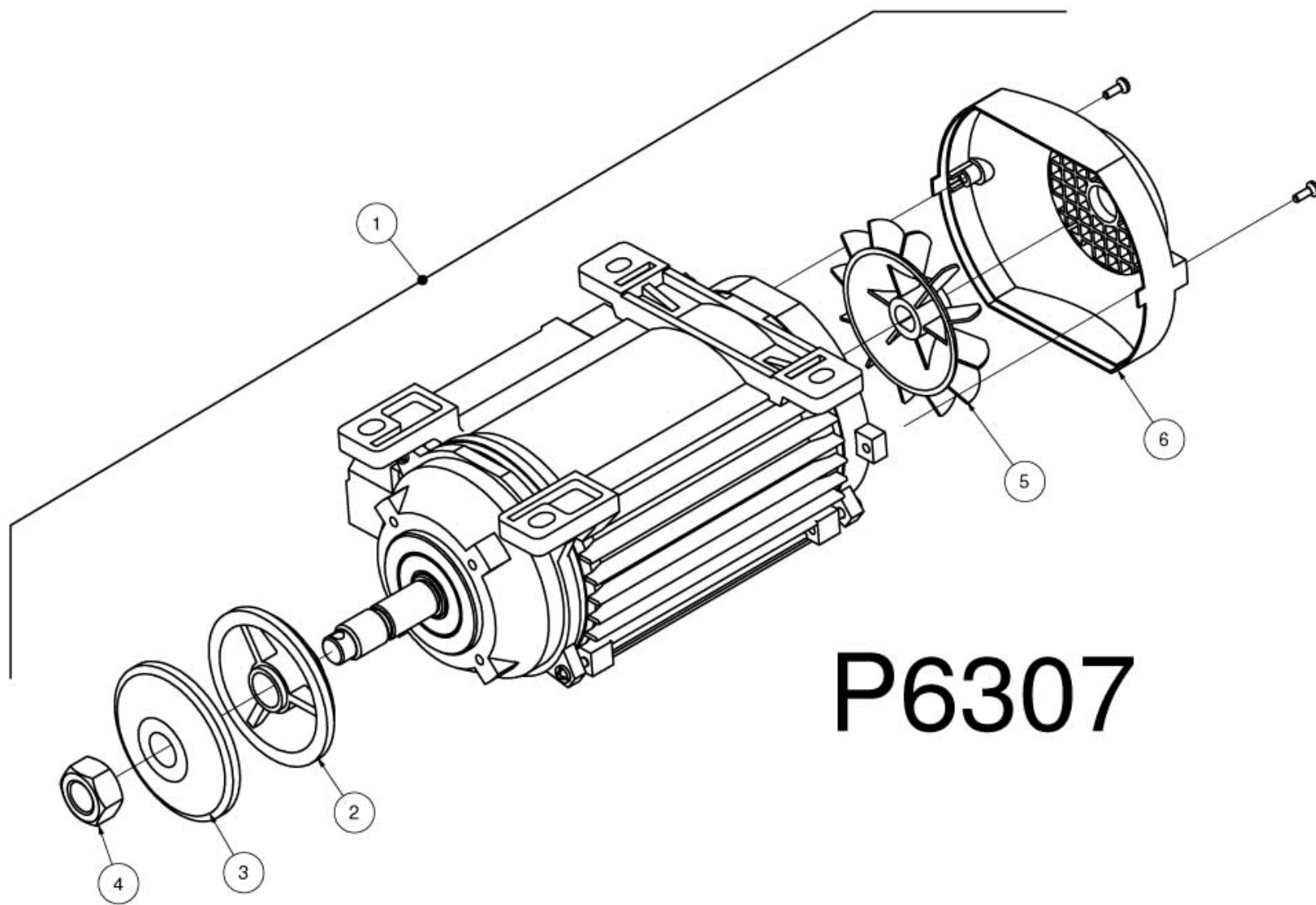


P6306

View / Pos.	Code	Description	Type (*)	Notes
P6307 / 1	00310047701	Motor 2.2KW 230V	S	
P6307 / 2	00310048257	Inner collar	S	
P6307 / 3	00310048258	Outer collar	S	
P6307 / 4	00310048259	Nut M18 left	S	
P6307 / 5	00310064557	Fan	S	
P6307 / 6	00310060598	Fan cover	S	
P6307 / -	00310370870	Capacitor	S	

(*): S = Spare part, W = Wear part

Wear parts are worn out through normal use of the machine. The wear period depends a lot on the intensity of use of the machine. Wear parts must be serviced, used and eventually changed following the indications of the manufacturer. Any wear due to normal use of the machine will not be considered as a case of warranty. Genuine Clipper replacement parts should always be used.



P6307



SAINT-GOBAIN ABRASIVES

190, Bd. J. F. Kennedy
L-4930 BASCHARAGE
LUXEMBOURG

Tel.: ++352 50401-1

Fax: ++352 501633

e-mail: sales.nlx@saint-gobain.com

www.construction.norton.eu

11.08.2009